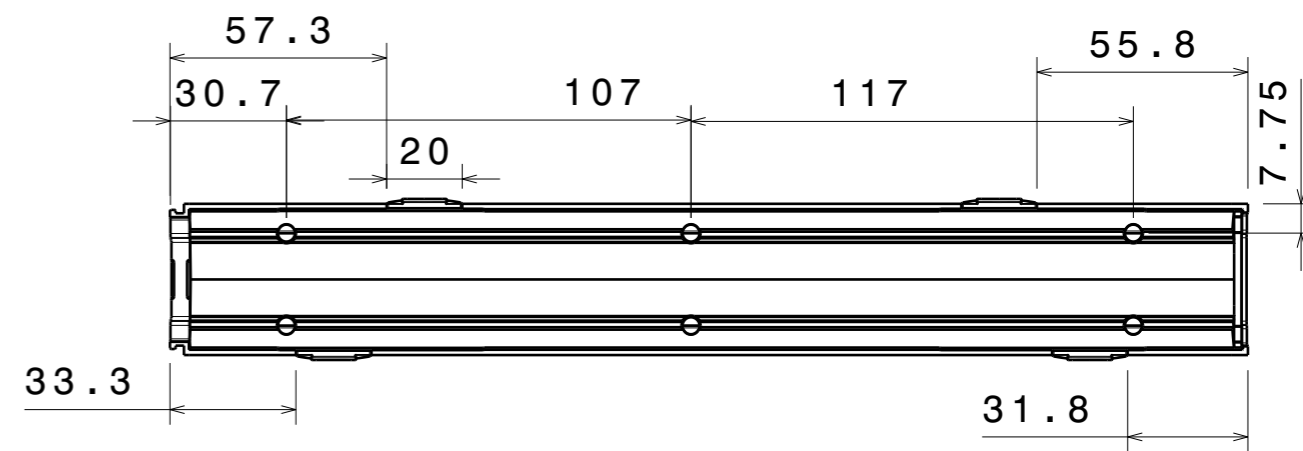
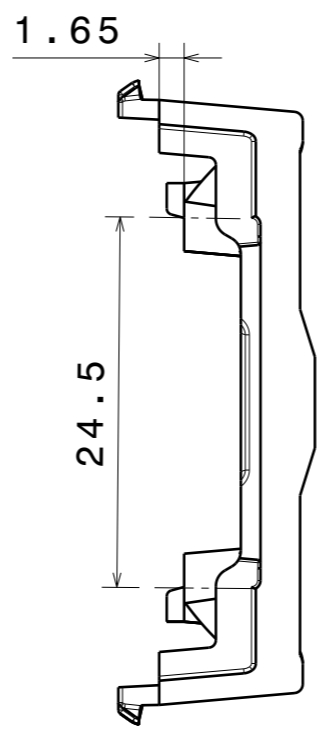
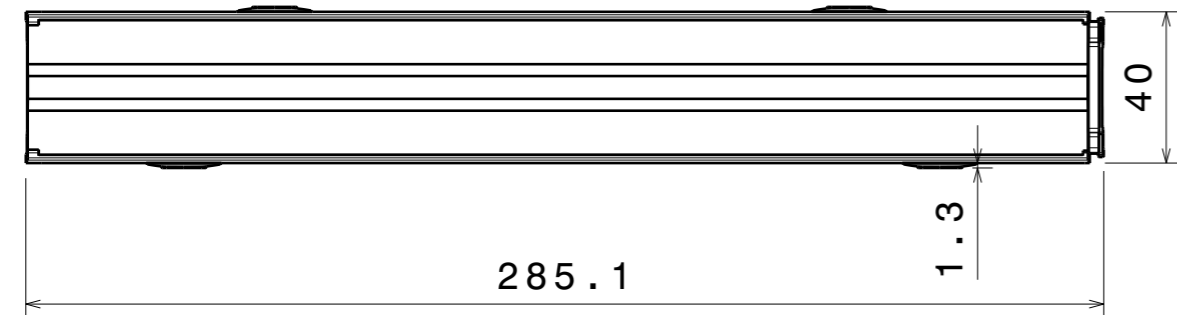


Isometric view
Scale: 1:2



PART	TYPE	MATERIAL	COLOR / COATING
F15860_LINNEA-Z2T25		PC	clear

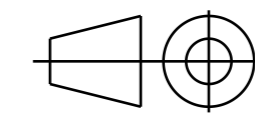
MECHANICAL DRAWING

PRODUCT
LINNEA

LEDiL

Plastic moulding general tolerances according to DIN 16901-130 and applies if not otherwise shown in the drawing. Silicone moulding general tolerances according to ISO 3302-1 Class M3 and applies if not otherwise shown in the drawing.

FIRST ANGLE PROJECTION:



This drawing is the property of LEDiL Oy. It may not be copied or otherwise distributed without prior written permission from LEDiL Oy.

SCALE	1:2	WEIGHT	43 g	A3	SHEET 1/1
-------	-----	--------	------	----	-----------

Notes

- PCB or heatsink level.
- LED location
- Ensure LED fitting from a product specific 3D model available from www.ledil.com
- For more details about installation please see LEDiL Installation Guide on www.ledil.com